

▷ Connection with indicator/alarm unit
(Connection with RM1-590 series)

▷ Connection with Alarm monitoring
system

RM-590 series

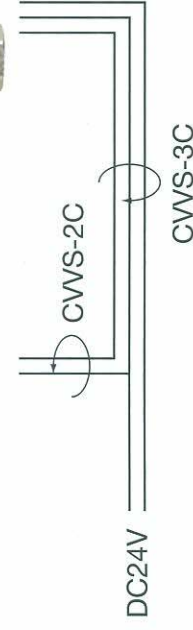
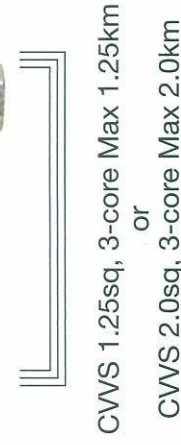


SD-1



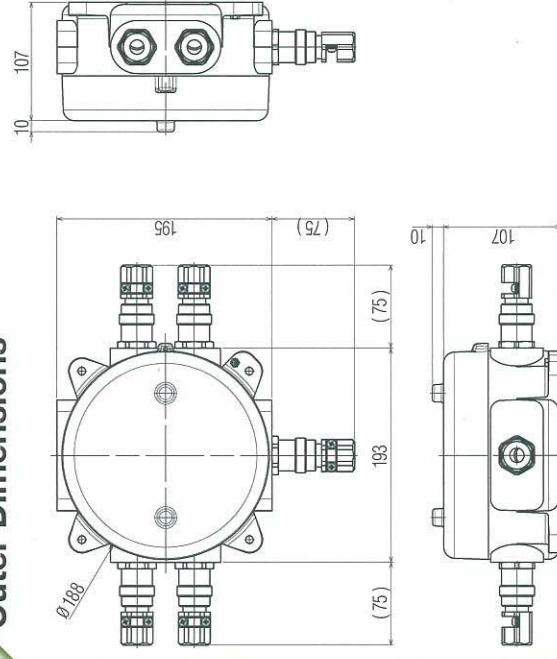
Alarm monitoring system

SD-1



▷ Translator (Optional)

◆ Outer Dimensions



◆ SPECIFICATION

MODEL	JB-2
EXPLOSION PROOF	ExdIICT4
IP class	IP-65
Power source	AC100~240V ±10% 50/60Hz
Consumed power	MAX 17VA
Cable	10~12φ
Dimension	193(W) x 195(H) x 107(D)



SMART TRANSMITTER/GAS DETECTOR

Flameproof enclosure Exd II CT5

MADE IN JAPAN

MODEL **SD-1**



Group IIC Acetylene, Hydrogen



Features

- ◆ Explosion proof housing for Hydrogen
- ◆ 7 segments LED (4 digits)
- ◆ Signal converter
- ◆ Self diagnosis by microprocessor
- ◆ Electrical power saving (Maximum : 3W)

RIKEN KEIKI Co., Ltd.

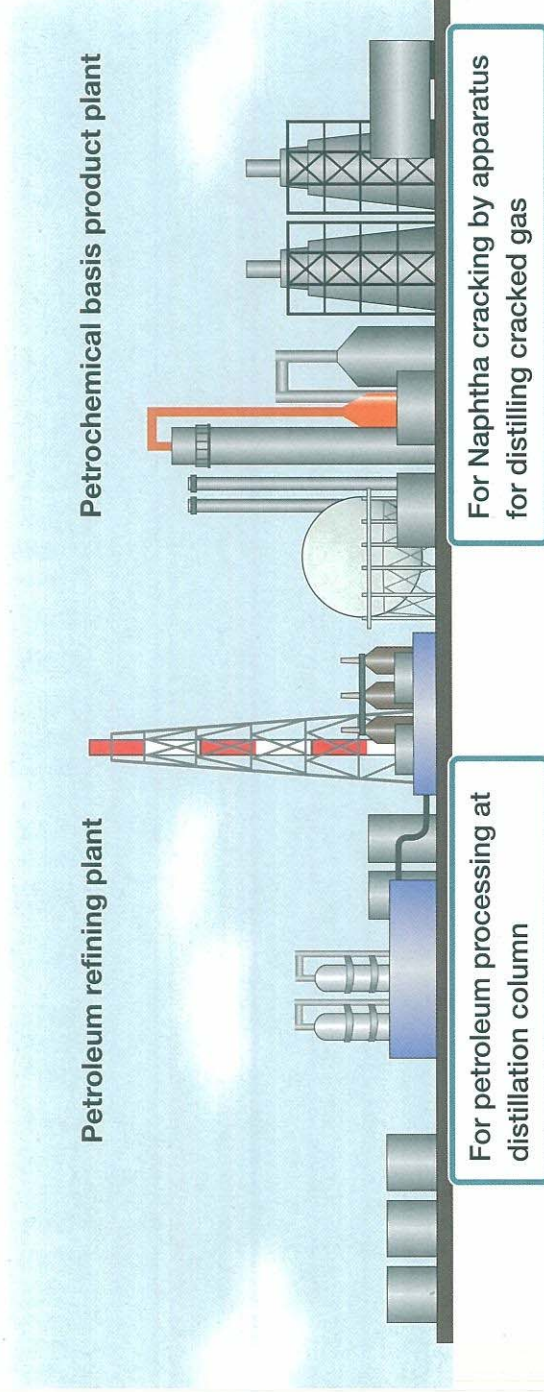
2-7-6 Azusawa, Itabashi-ku, Tokyo 174-8744, Japan
 Phone : +81-3-3966-1113
 Telefax : +81-3-3558-9110
 E-mail : intdept@rikenkeiki.co.jp
 Web site : <http://www.rikenkeiki.co.jp>

★ Distributed by:



▷ SD-1 service space

Measuring gas : Combustible gas in the presence of Hydrogen/Acetylene



▷ SD-1 was certificated explosion proof of Hydrogen/Acetylene

SD-1 can be installed at the situation that need explosion proof of Hydrogen/Acetylene.

Ex d IIC T5

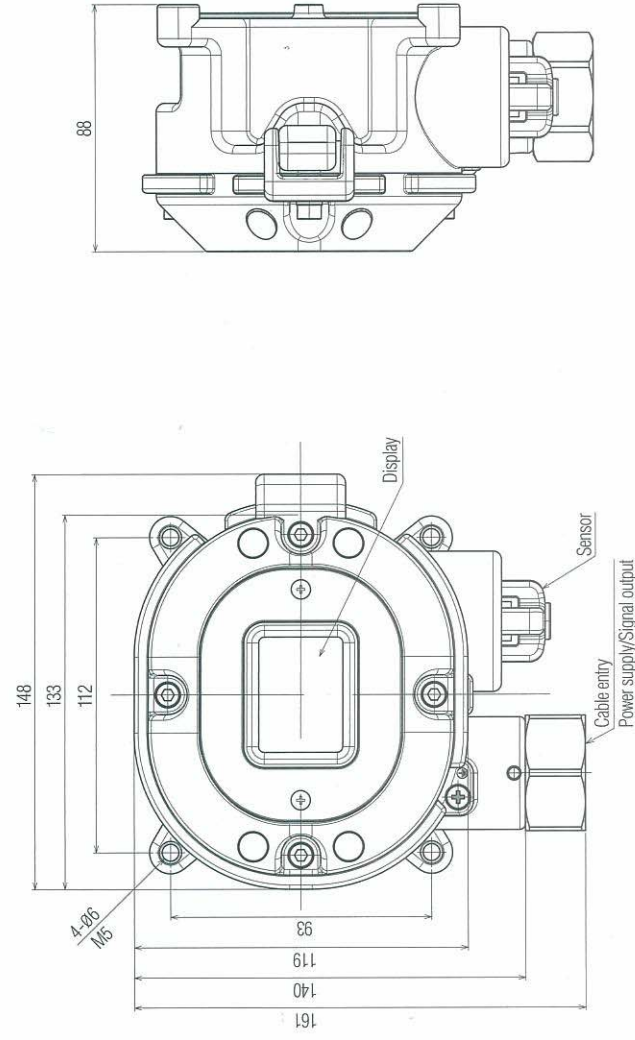
Explosion-proof operating material

Temperature class : Highest permissible surface temperature $85^{\circ}\text{C} < \text{T5} < 100^{\circ}\text{C}$

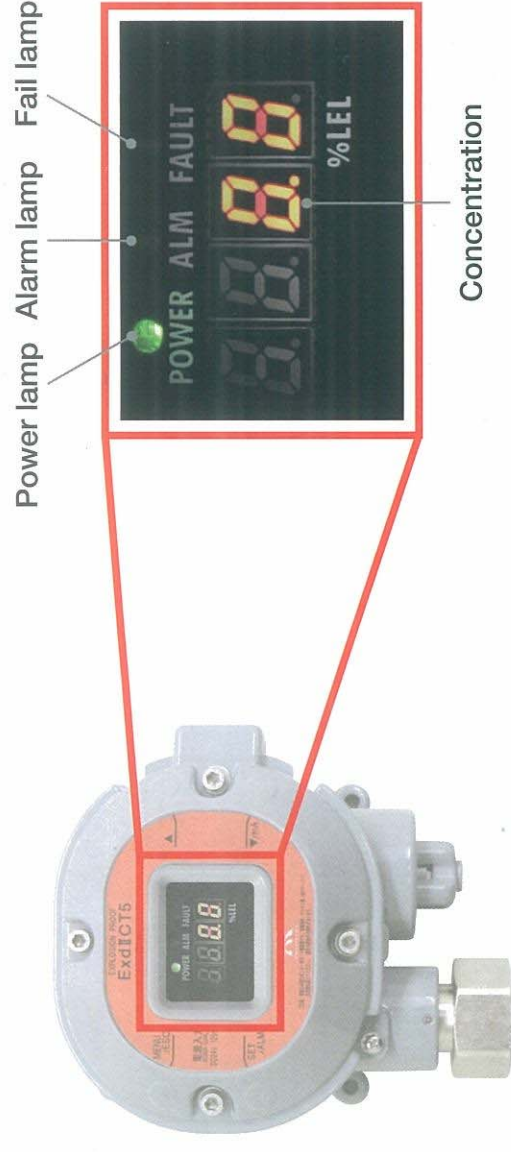
Explosion proof enclosure

Explosion group II, Gas group C

▷ Outer Dimensions



▷ DISPLAY



▷ SPECIFICATION

Detection principle	Catalytic combustion
Measuring gas	Combustible gases (CH ₄ , i-C ₄ H ₁₀ or general combustible gas) (Please specify the gas when ordering)
Measuring range (Increments)	0-100%LEL (0.1%LEL/digit)
Preset alarms	Quarter of F.S. (Standard)
Display	7-seg digital LED with backlight
Sampling method	Diffusion sampling
Alarm delay time	Approx 30 seconds when exposed to gas concentration of 1.6 times alarm level
Operating temperature & humidity	-20~+53°C, below 95%RH, non-condensing
Output	Gas concentration : 4~20mA (300Ω)
Alarm contacts	Gas alarm (Standard) or Trouble alarm (Option) : Normally open Contact rating : 30VDC 0.5A or 250VAC 0.5A (Resist rating)
Power source	24VDC (17VDC -26.4VDC)
Explosion proof	Exd II CT5
Self diagnosis function	System failure, communication error, short, EEPROM error
Applicable cable	LED lamp (Yellow) CVWS 3-core (Power supply + 4~20 mA)
Signal transmission distance & cable	MAX 1.25km with CVWS 1.25sq cable, MAX 2.0km with CVWS 2.0sq cable
Consumed power	Approx 3 W (MAX)
Dimension & Weight	148 (W) x 161 (H) x 88 (D) mm, Approx. 2.0kg

▷ Standard accessories

- ◆ Control lever
- ◆ Control key